



VÁLVULA DE RETENCIÓN A CLAPETA PRESSURE SEAL 600#/900#/1500#/2500# BW

SWING CHECK VALVE PRESSURE SEAL 600#/900#/1500#/2500# BW

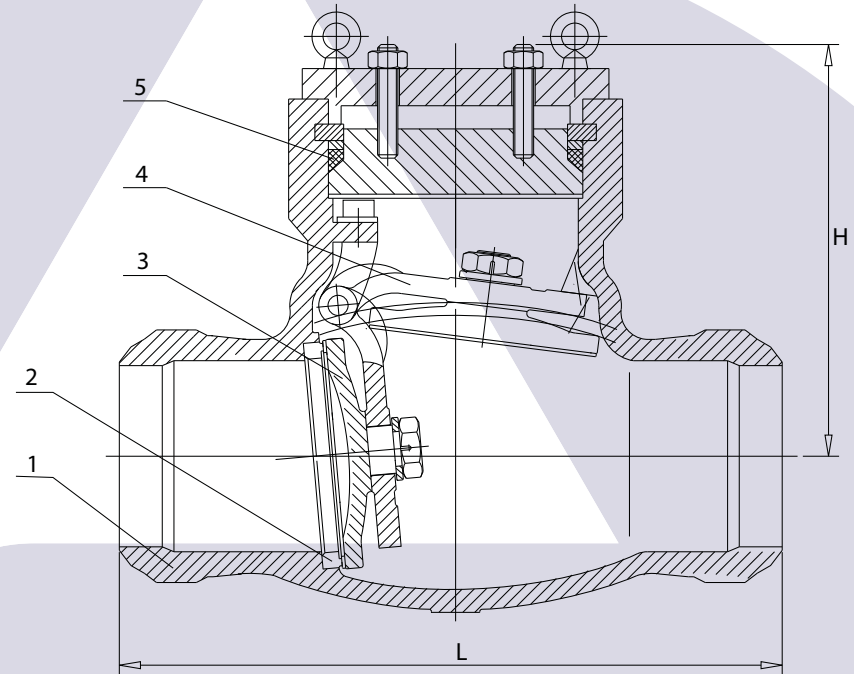
Fig. 5401

Características / Features

| | |
|--------------------------------------|--|
| Diseño / Design | ASME B16.34. Tapa pressure seal / Pressure seal bonnet |
| Rating | 600# / 900# / 1500# / 2500# |
| Distancia entre caras / Face to face | ASME B16.10 |
| Extremos / Ends | BW |

Materiales / Materials

| N° | Descripción / Part name | Material |
|----|-------------------------|----------------------------------|
| 1 | Cuerpo / Body | A216 WCB / A351 CF8M |
| 2 | Asiento / Seat | A182 F6A + STL / A182 F316 + STL |
| 3 | Clapeta / Disc | A216 WCB + STL / A351 CF8M + STL |
| 4 | Eje / Stem | AISI 410 / A182 Gr.F316 |
| 5 | Junta / Gasket | AISI 304 / AISI 316 |



Dimensiones / Main dimensions

| Tamaño / Size | | L | | | | L - SP * | | | | H | | | | Peso / Weight Kg | | | |
|---------------|-----|------|------|-------|-------|----------|------|-------|-------|------|------|-------|-------|------------------|------|-------|-------|
| DN | NPS | 600# | 900# | 1500# | 2500# | 600# | 900# | 1500# | 2500# | 600# | 900# | 1500# | 2500# | 600# | 900# | 1500# | 2500# |
| 50 | 2" | 292 | 216 | 368 | 451 | 178 | - | 216 | 279 | 240 | 250 | 265 | 280 | 20 | 44 | 65 | 78 |
| 65 | 2½" | 330 | 419 | 419 | 508 | 216 | 254 | 254 | 330 | 265 | 580 | 295 | 310 | 38 | 57 | 72 | 95 |
| 80 | 3" | 356 | 381 | 470 | 578 | 254 | 305 | 305 | 368 | 275 | 290 | 310 | 325 | 45 | 75 | 80 | 110 |
| 100 | 4" | 432 | 457 | 546 | 673 | 304 | 355 | 406 | 457 | 325 | 335 | 345 | 370 | 45 | 105 | 125 | 205 |
| 125 | 5" | 508 | 559 | 673 | 794 | 381 | 432 | 483 | 533 | 370 | 380 | 385 | 425 | 95 | 140 | 160 | 395 |
| 150 | 6" | 559 | 609 | 705 | 914 | 457 | 508 | 559 | 610 | 425 | 440 | 460 | 500 | 125 | 230 | 300 | 495 |
| 200 | 8" | 660 | 736 | 832 | 1022 | 584 | 660 | 711 | 762 | 500 | 510 | 515 | 525 | 220 | 440 | 525 | 900 |
| 250 | 10" | 787 | 838 | 991 | 1270 | 711 | 787 | 864 | 914 | 555 | 570 | 590 | 630 | 330 | 590 | 960 | 1300 |
| 300 | 12" | 838 | 965 | 1130 | 1422 | 812 | 914 | 991 | 1041 | 610 | 620 | 645 | 695 | 505 | 870 | 1130 | 1950 |
| 350 | 14" | 889 | 1029 | 1257 | - | 889 | 991 | 1067 | - | 725 | 730 | 765 | - | 595 | 1085 | 1450 | - |
| 400 | 16" | 991 | 1130 | 1384 | - | 991 | 1092 | 1194 | - | 755 | 790 | 800 | - | 800 | 1225 | 2100 | - |
| 450 | 18" | 1092 | 1219 | - | - | 1092 | - | - | - | 850 | 860 | - | - | 1150 | 1700 | - | - |
| 500 | 20" | 1194 | - | - | - | 1194 | - | - | - | 925 | - | - | - | 1600 | - | - | - |

* L - SP: Avance reducido / Short pattern