

ACTUADOR NEUMATICO CUARTO DE VUELTA SCOTCH-YOKE SCOTCH-YOKE QUARTER TURN PNEUMATIC ACTUATOR



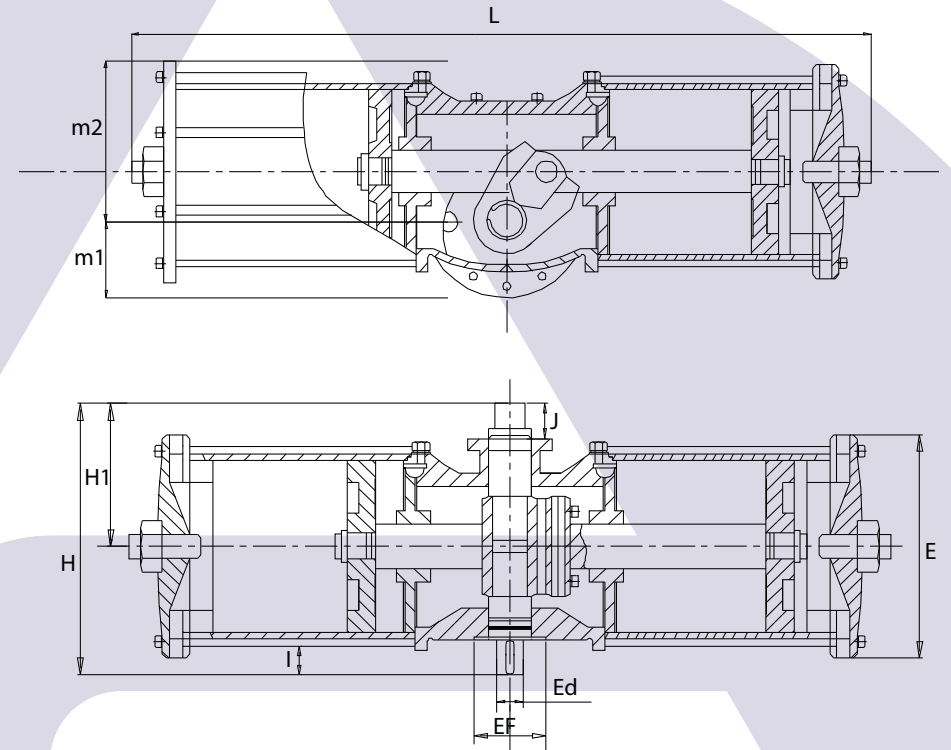
Fig. 4170

Características / Features

| | |
|---|---|
| Diseño / Design | Neumático doble cilindro mecanismo scotch-yoke / Pneumatic double cylinder double piston scotch-yoke driving system |
| Ángulo de giro / Turning angle | Doble-simple efecto, giro 90°. Ajustable +/- 5° en ambos extremos / Double-single action 90°, adjustable angle from both ends: +/- 5° |
| Temperatura ambiente / Temperature of working environment | -20°C - 90°C |
| Presión suministro aire / Pressure of air source | 0,2 - 0,8 Mpa (Máximo 1,0 Mpa / maximum 1,0 Mpa) |

Dimensiones / Main dimensions

| Modelo / Model | L | H | H1 | m1 | m2 | E | Ed | I | EF | J |
|----------------|------|-----|-----|-----|-----|-------|-----|-----|-----|----|
| 4170 13 | 640 | 266 | 138 | 66 | 134 | 168 | 42 | 37 | 80 | 54 |
| 4170 17 | 827 | 348 | 177 | 95 | 175 | 230 | 50 | 60 | 120 | 66 |
| 4170 20 | 1162 | 425 | 212 | 116 | 233 | 270 | 64 | 74 | 140 | 78 |
| 4170 25 | 1162 | 425 | 212 | 118 | 258 | 320 | 64 | 74 | 140 | 78 |
| 4170 28 | 1380 | 527 | 252 | 159 | 300 | 362 | 85 | 100 | 220 | 84 |
| 4170 35 | 1860 | 280 | 135 | 175 | 370 | φ 440 | 105 | 136 | 220 | 20 |
| 4170 40 | 1860 | 280 | 135 | 175 | 370 | φ 490 | 105 | 136 | 220 | 20 |
| 4170 50 | 2350 | 335 | 171 | 200 | 480 | φ 600 | 120 | 164 | 280 | 20 |
| 4170 60 | 2800 | 376 | 183 | 250 | 570 | φ 700 | 140 | 192 | 360 | 20 |



| Modelo / Model | Par muelle / Spring torque | | Presión suministro aire / Air supply pressure Mpa | | | | | |
|----------------|----------------------------|-------|---|-------|-------|-------|-------|-------|
| | | | 0,4 | | 0,5 | | 0,6 | |
| | Min. | Max. | Min. | Max. | Min. | Max. | Min. | Max. |
| 4170 13S | 230 | 430 | 183 | 330 | 330 | 540 | 490 | 700 |
| 4170 17S | 330 | 670 | 600 | 930 | 920 | 1290 | 1230 | 1573 |
| 4170 20S | 1010 | 1430 | 700 | 1120 | 1230 | 1650 | 1770 | 2190 |
| 4170 22S | 1180 | 2170 | 980 | 1780 | 1700 | 2540 | 2420 | 3300 |
| 4170 25S | 1570 | 2890 | 1890 | 3230 | 3160 | 4560 | 4330 | 5440 |
| 4170 28S | 2080 | 3820 | 3040 | 4880 | 4760 | 6490 | 6480 | 8210 |
| 4170 35S | 8770 | 13140 | 2760 | 7870 | 6130 | 11340 | 9510 | 14720 |
| 4170 40S | 8770 | 13140 | 1480 | 8860 | 5900 | 13260 | 10300 | 17670 |
| 4170 50S | 13110 | 27490 | 6370 | 20750 | 14840 | 29220 | 23310 | 37700 |

N-M

| Presión suministro aire / Air supply pressure | Especificaciones / Specifications Mpa | | | | |
|---|---------------------------------------|-------|-------|-------|--------|
| | 0,3 | 0,4 | 0,5 | 0,6 | 0,7 |
| 4170 13 | 515 | 620 | 770 | 930 | 1080 |
| 4170 17 | 950 | 1270 | 1590 | 1910 | 2230 |
| 4170 20 | 1820 | 2430 | 3040 | 3650 | 4260 |
| 4170 22 | 2600 | 3470 | 4330 | 5200 | 6070 |
| 4170 25 | 3610 | 4810 | 6010 | 7220 | 8430 |
| 4170 28 | 5150 | 6860 | 8580 | 10300 | 12020 |
| 4170 35 | 10120 | 1350 | 16870 | 20250 | 23620 |
| 4170 40 | 13220 | 17630 | 22040 | 26450 | 30860 |
| 4170 50 | 22460 | 29950 | 37440 | 44930 | 52420 |
| 4170 60 | 47300 | 63070 | 78840 | 78840 | 110380 |

N-M